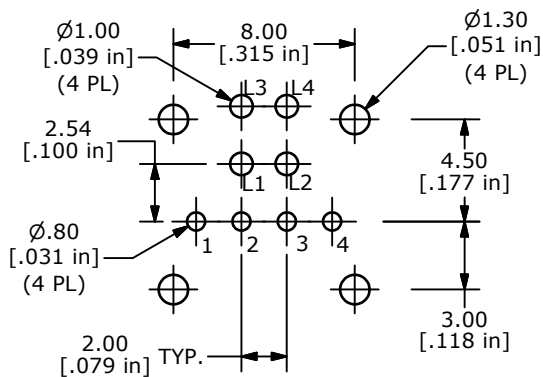
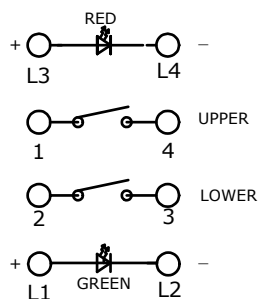


LED SPECS	UNITS	RED	GREEN
FORWARD CURRENT	mA	20	20
FORWARD VOLATGE	V	1.9 TYP -2.5 MAX	2.1 TYP - 2.5 MAX
LUMINOUS INTENSITY	mcd	4000 TYP	600 TYP

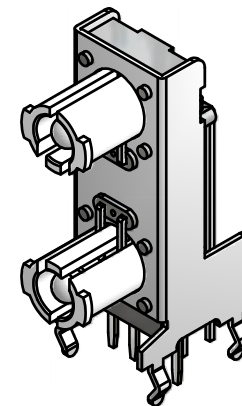
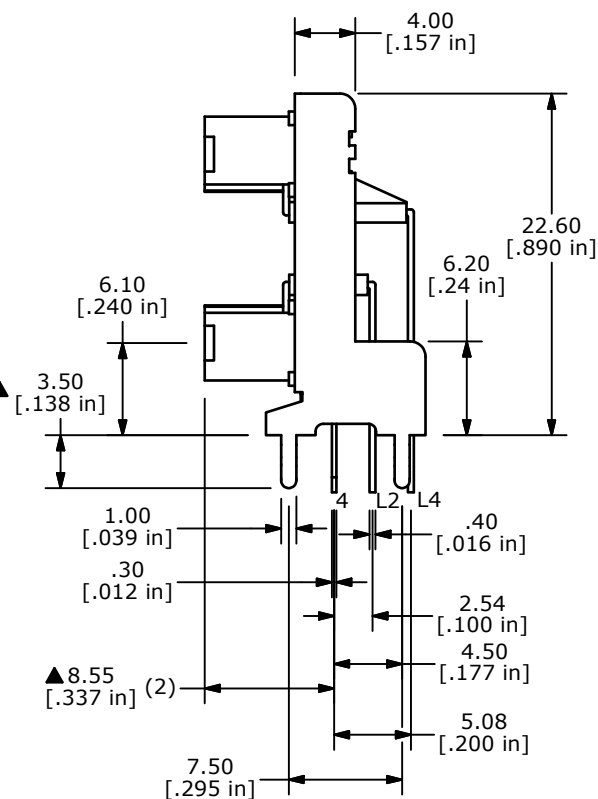
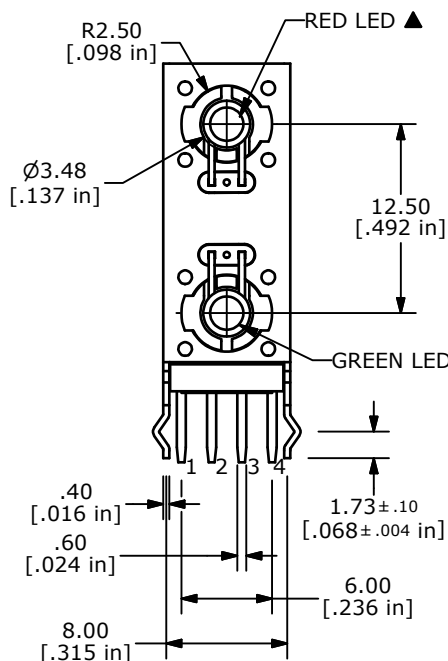
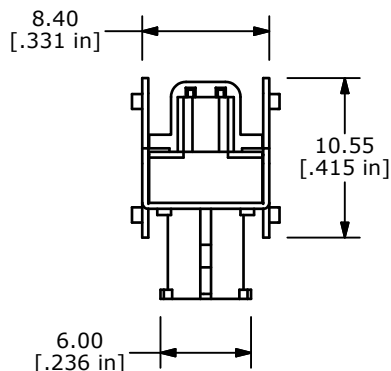


RECOMMENDED PCB LAYOUT



▲ CIRCUIT DIAGRAM

- NOTES:
1. ALL DIMENSIONS IN MM
  2. GENERAL TOLERANCE: X.X=±0.4  
X.XX=±0.25
  3. TERM. NOS. FOR REFERENCE ONLY.
  4. CONTACT RATING: 50mA @12VDC
  5. TRAVEL: 0.25 +0.2/-0.1mm
  6. CONTACT RESISTANCE: 100 Milli-Ohms Max.
  7. OPERATING FORCE: 160 ± 50gf
  - ▲ 8. CONTACT MATERIAL: SILVER
  9. MECHANICAL LIFE: 500,000 CYCLES
  10. OPERATING TEMP: -20°C TO 70°C
  - 11▲ DENOTES CRITICAL PARAMETER.
  - ▲ 12. PACKAGE: TRAY/ 126 PIECES PER
  13. 2002/95/EC (ROHS) COMPLIANT



TITLE TL3253BRNBGNF160Q

A	20295	RELEASE FOR PRODUCTION	11/21/11	BMA
REV	PCR NO	DESCRIPTION	DATE	BY

SCALE	DATE	DR	DWG	REV
2:1	11/21/2011	BGL	B060003	A

THE INFORMATION CONTAINED IN THIS DOCUMENT IS PROPRIETARY TO E-SWITCH AND IS NOT TO BE COPIED OR TRANSFERRED